

WINTECH ELECTRIC CO., LTD.

PD Location | High Sensitivity

AE Sensor

Acoustic Emission Sensor



- Attached to casing of power equipment for detecting acoustic waves: acoustic signal resulting from PD will propagate from insulation materials as well as metal cases to casing of power equipment.
- For partial discharge recognition, PD sources location and on-line monitoring.
- Immunity to external electrical disturbances.
- Combined with the preamplifier, AE method is suitable to do PD measurements on GIS, transformer tanks, and cable joints.

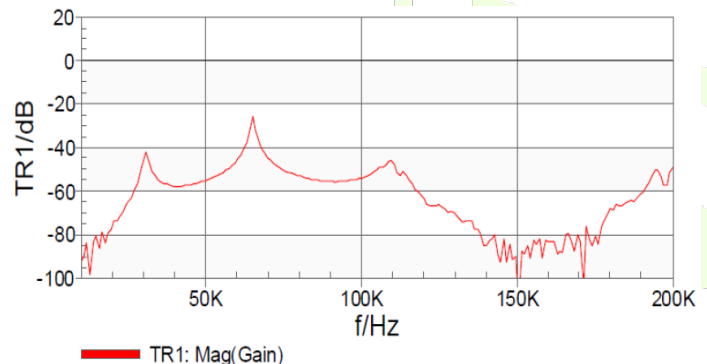
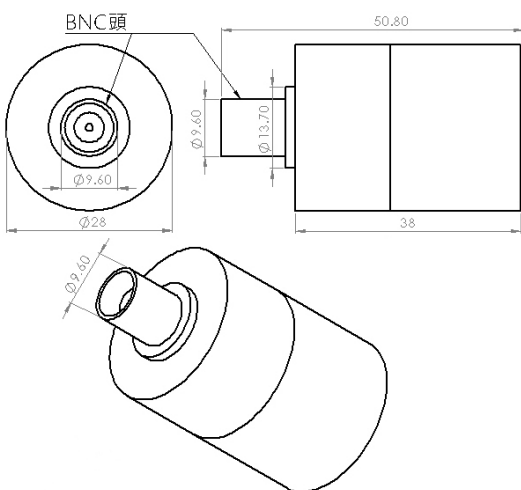
Acoustic Emission Sensor

Technical Specification

Central Frequency	65 kHz
Bandwidth	30 kHz - 90 kHz
Output Connector	BNC female
Dimensions	45mm X 45mm X 45mm
Weight	160 g \pm 10 g

Amplifier (Option)

Gain	100 dB
Power Supply	AC 100-240V 50/60Hz
Dimensions	70 mm X 35 mm X 10 mm
Weight	250 g \pm 10 g



TEL: (886)-2-8911-0833

FAX: (886)-2-8911-0835

E-Mail: Service@wintech-pd.com.tw

Web: www.wintech-pd.com.tw

The Best Power of Life